

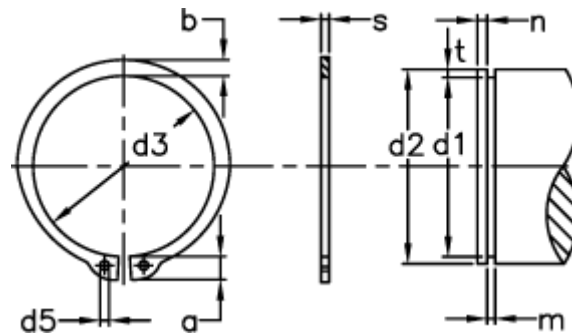
Data Sheet



Article number: 0109098

Description: Retaining ring AS 100x4.0
Spring steel

Measures



a max = 10.5	Description = AS 100	s = 4.00
AN mm ² = 540.0	FN kN = 90.00	t = 1.75
B = 1.78	FRg kN = 51.6	tol = -0.35
b = 9.0	FR kN = 368.0	tol = -0.10
d1 = 96.5	g = 3.5	tol = +0,54 -1,30
d2 = 100	m min = 4.15	Tong = ZGA-4
d3 = 94.5	n abl x 1000 = 4	Weight kg/1000 = 72.00
d5 min = 3.5	Nominal drive = 5.3	